

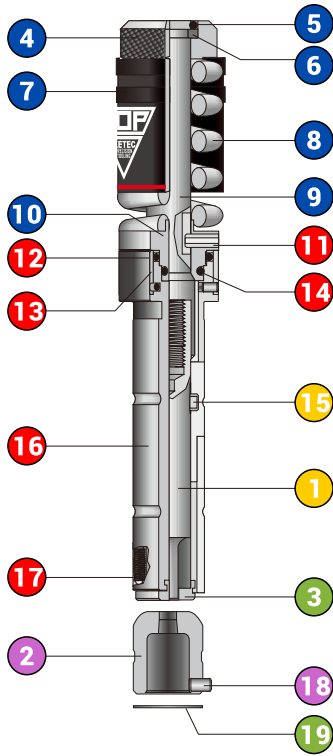


# KU SERIES

**THICK TURRET**

# KU Series

A/B Station



## DESCRIPTION

- |                   |               |
|-------------------|---------------|
| 1 Punch           | 11 Dowel Pin  |
| 2 Die             | 12 Steel Ball |
| 3 Stripper        | 13 Lock Ring  |
| 4 Punch Head      | 14 O Ring     |
| 5 O Ring          | 15 Dowel Pin  |
| 6 Spacer          | 16 Guide      |
| 7 Canister        | 17 Plunger    |
| 8 Spring          | 18 Dowel Pin  |
| 9 Driver          | 19 Die Shim   |
| 10 Adjusting Ring |               |

- +  +  + 3 = Punch Assembly
- = Punch Head Assembly
- = Punch
- = Die
- = Guide

A Station: ØD ~12.7mm (~½")

B Station: ØD ~31.7mm (~1-¼")

## PRODUCT OVERVIEW

The KU series is one of Ketec's best-selling product lines, prized for its ease of use, reliability, and popularity. All categories are available in stations A, B, C, D and E, offering other mainstream tooling manufactures.

- Tool-free punch length adjustment is achieved by pushing the click release button and rotating the punch head clockwise or counterclockwise.
- Max grind life for A & B station is 6.3mm.
- Using HRC 63 High-Speed Steel for exceptional durability in high-stress environments.
- Guides treated with Nitriding process to enhance compressive, wear, and corrosion resistance.
- TiCN coating available upon request for additional protection.
- Interchangeable with other mainstream tooling manufactures.

## KU Series Parts Availability (Standard)

Parts	Punch Assembly	Punch Head Assembly	Punch	Die	Open Guide	Stripper Plate
Series						
KU	●	●	●	●	●	●




## Standard Shapes

Round

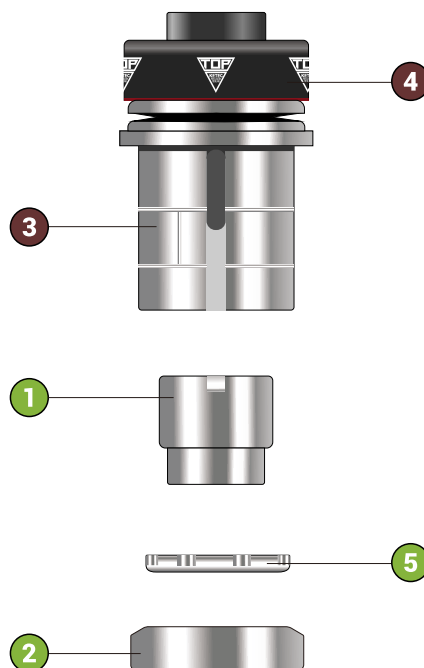


## DESCRIPTION

- 1 Punch
- 2 Die
- 3 Guide
- 4 Punch Head Assembly
- 5 Stripper

 +  +  = Punch Assembly

 Guide Assembly



C Station: ØD ~50.80mm (~2")

D Station: ØD ~88.90mm (~3-1/2")

E Station: ØD ~114.30mm (~4-1/2")

## PRODUCT OVERVIEW

The KU series is one of Ketec's best-selling product lines, prized for its ease of use, reliability, and popularity. All categories are available in stations A, B, C, D and E, offering other mainstream tooling manufactures.

### KU Series Parts Availability (Standard)

Series	Parts	Punch Assembly	Punch Head Assembly	Punch	Die	Guide	Guide Assembly	Stripper Plate
KU		●	●	●	●	●	●	●

### KU Series VS. 85 Series Comparison Chart

Series	Parts	Punch	Die	Punch Head Assembly	Guide Assembly	Guide	Stripper Plate
KU		Interchangeable		⊗	⊗	⊗	⊗
T85			⊗	⊗	⊗	⊗	
E85			⊗	⊗	⊗	⊗	

### Standard Shapes

	RE	OB	SQ	QR	HX	SD	DD	QD	RO
C									
D									
E									

- Tool-free punch length adjustment is achieved by pressing the quick adjust button and rotating the punch head clockwise or counterclockwise.
- Max grind life for C, D, E station is about 8mm.
- Using HRC 63 High-Speed Steel for exceptional durability in high-stress environments.
- TiCN coating available upon request for additional protection.
- Rooftop shear available upon request.
- Comes in 3 standard guiding pin angles of 0°, 90°, 225°.
- Interchangeable with other mainstream tooling manufactures.



## Contact



### North America

+1 (339) 233-4347(Charlie Qi)

### China

+86 20 37965500(Christy Wen)  
+86 188-1981-5253(Simon Tam)



### North America

Charlie.q@ketectooling.com

### China

International@ketectool.com  
Simon.t@ketectooling.com



### WhatsApp

+1 518-837-1464(North America)  
+86 188-1981-5253(International)



### Fax

020-3769 5393



### North America

14276 Doolittle Dr, San Leandro, CA, 94577, USA

### China

No.7,Lifeng Road, Mingzhu Industrial Park, Conghua, Guangzhou, China

## Follow Us

